



Alro Steel

Metals • Industrial Supplies • Plastics

SINCE
1948

6-Axis Laser Cutting

Alro Offers Laser Cutting for Tube, Angle, Channel and Beams!



BENEFITS

- Ability to miter cut, tap, notch, pipe joints, slot holes, tabs, etching and more
- Reduces the need for sawing, fixturing, milling, drilling, punching, bending and welding
- Dramatically reduce assembly time
- High quality cut and parts repeatability
- Tapping from #10 - 3/4" and M5 - M12 available depending on size/thickness



Video available on  YouTube

CAPABILITIES

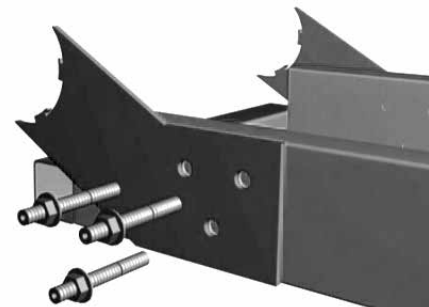
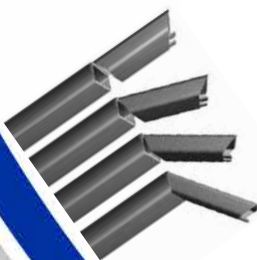
Round Tube	Square Tube	Rectangular Tube	I-Beam & WF-Beam	Channel & Angle	Grades	Maximum	Bevel
1/2" Dia up to 16" Dia	1/2" Sq up to 10" Sq	1/2" x 1/2" up to 10" x 8"	7/8" up to 6"	1" up to 10"	Carbon Steel	3/4" Wall	45 Deg Max
					Stainless Steel	3/8" Wall	20 Deg Max
					Aluminum	1/4" Wall	0 Degree

This chart is a guideline only. For more specific information please contact your Alro representative.

Alro has a fully integrated CAD Department to handle most file types:
Preferred Files: .dxf .dwg .prt .sldprt

Also Accepted:

.iges .asm .dft .par .psm .pwd .step .X_B .X_T .sat model .iam .stp .ipt .dgn .sldasm .stl





Alro Steel

Metals • Industrial Supplies • Plastics

SINCE
1948

Integrity. Loyalty. Honesty. These principals have guided Alro Steel since our founding in 1948 by brothers, Al and Robert Glick. From a small garage in Jackson, Michigan, Alro Steel has grown to over 70 locations in 13 states. Alro distributes metals, industrial supplies and plastics. A wide variety of processing services are available including cut-to-size metals and plastics with next day delivery to over 50,000 customers in North America. Focused on exceeding our customers' expectations, we build relationships with all our customers, large and small.

METALS & SHAPES

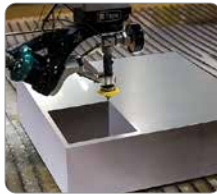
	Bar	Pipe & Tube	Plate & Sheet	Structural	Grating & Exp. Metal
Alloy	●	●	●		
Aluminum	●	●	●	●	●
Brass	●		●		
Bronze	●	●			
Carbon Steel	●	●	●	●	●
Cast Iron	●	●			
Copper	●	●	●		
Stainless Steel	●	●	●	●	●
Tool Steel	●		●		



METALS PROCESSING



Precision Plate and Structural Saw Cutting



Waterjet Cutting



Oxy-Fuel Cutting



Plasma Cutting



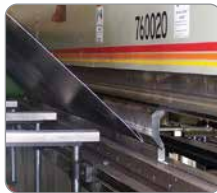
Plate Laser Cutting



6-Axis Laser Cutting



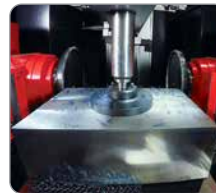
Shearing



Press Brake Bending & Forming



Tube Cutting and Chamfering



Precision Milling and Squaring



Plate Grinding



Thermal Processing

ALRO ONLINE STORE



alro.com

Your One Stop Shop for Metals, Industrial Supplies & Plastics

DEC 2021